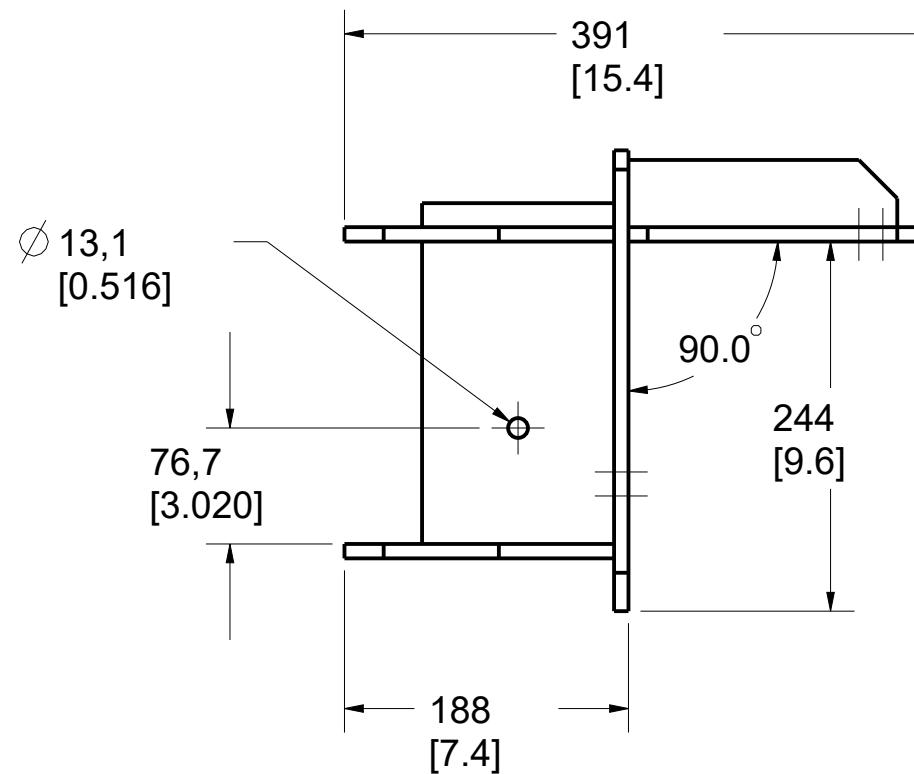
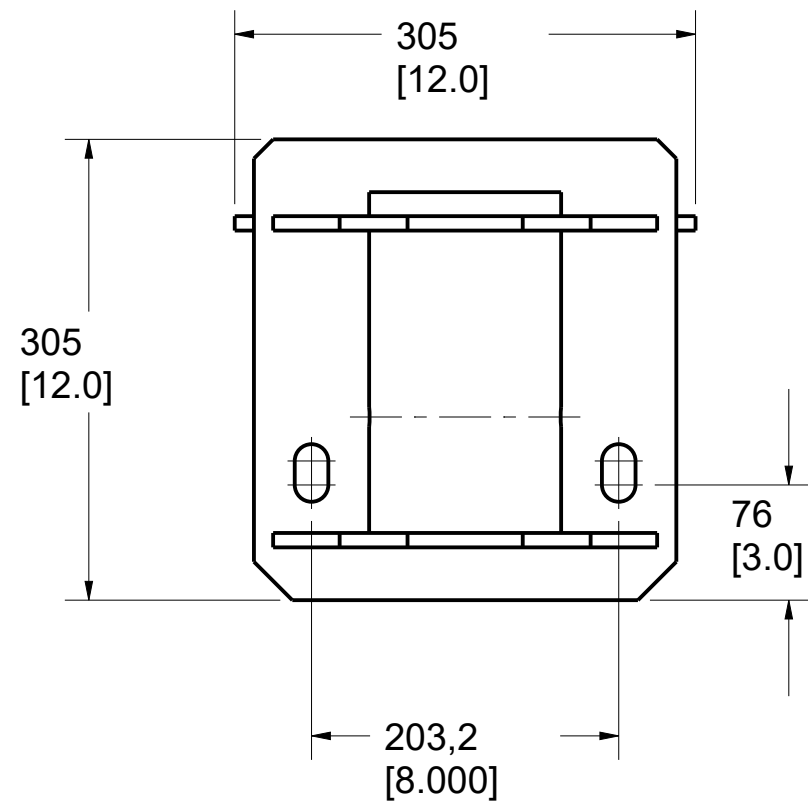
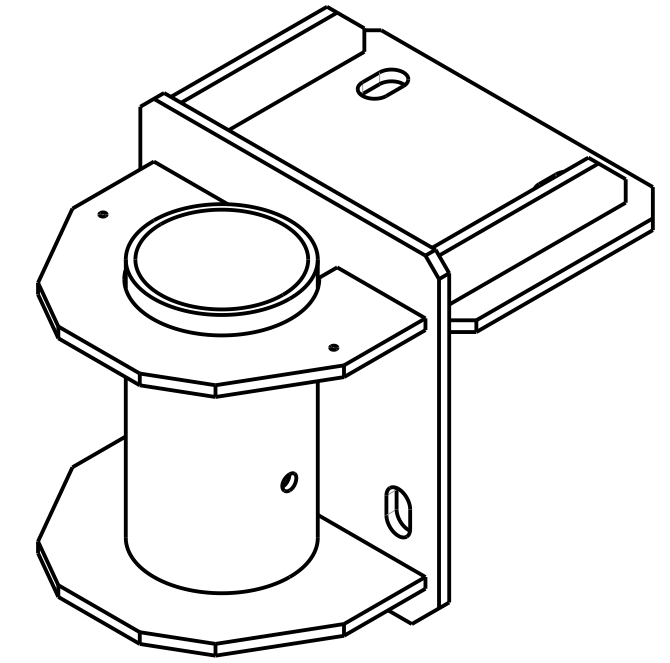
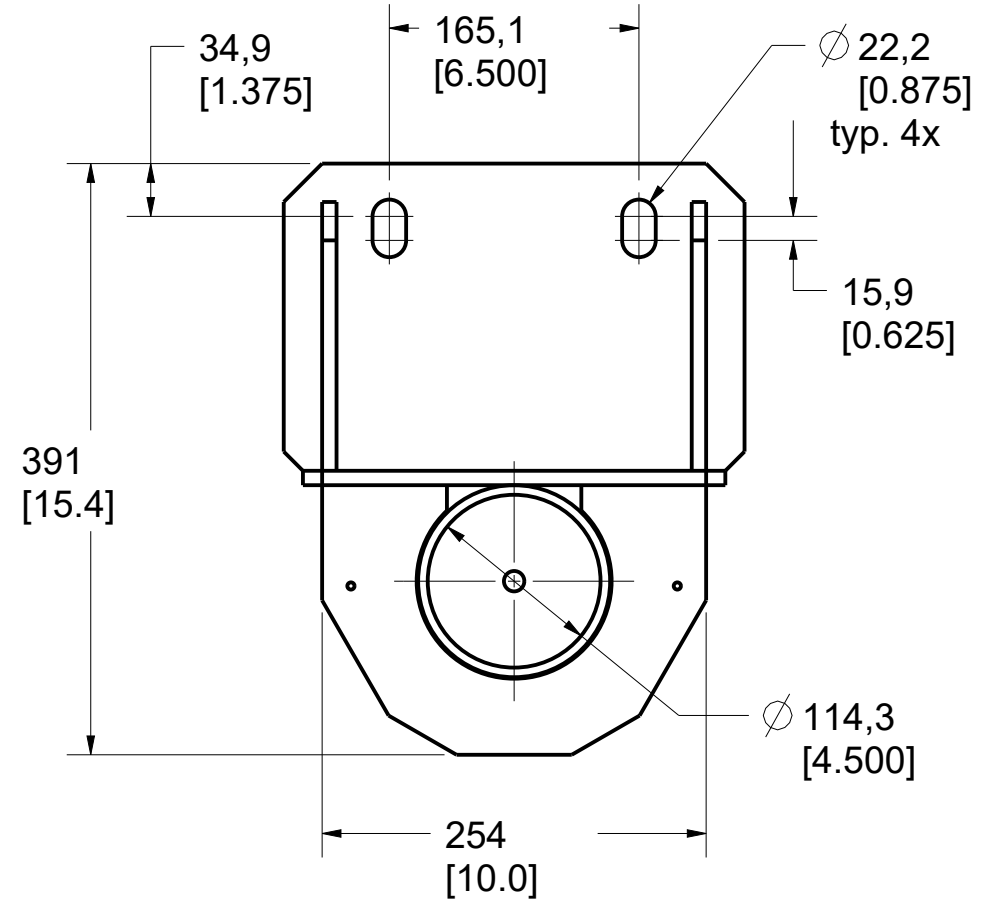


Product number: IN-2516



PAT.NO.:				
PRODUITS DE SERVICE PUBLICS INNOVA INC. INNOVA PUBLIC UTILITY PRODUCTS INC.				
<small>© 9105-0732 QUEBEC INC. and under exclusive license to INNOVA PUBLIC UTILITY PRODUCTS INC., (hereafter « INNOVA »). All rights reserved. Protected under the Copyright Act of Canada and international treaties and agreements regarding copyrights. Violators are subject to prosecution and other legal recourses for infringement. Any reproduction, adaptation or other use or disclosure whatsoever, in totality or in part, and in any form or by any means whatsoever, strictly forbidden and requires the prior written approval of INNOVA. All data is the exclusive property of 9105-0732 QUEBEC INC. and under exclusive license to INNOVA and cannot be used nor disclosed in any way either without the prior written approval of INNOVA.</small>				
POIDS:	TITLE:			
46 Lb	102mm (4") Top Wall Adapter 90deg			
21 Kg	(Stainless Steel 304)			
COLOR:	Material:	SHEET(S):	PROJET:	Rev.
	Stainless Steel	1 / 4	IN-2516	01

Product number: **IN-2516**

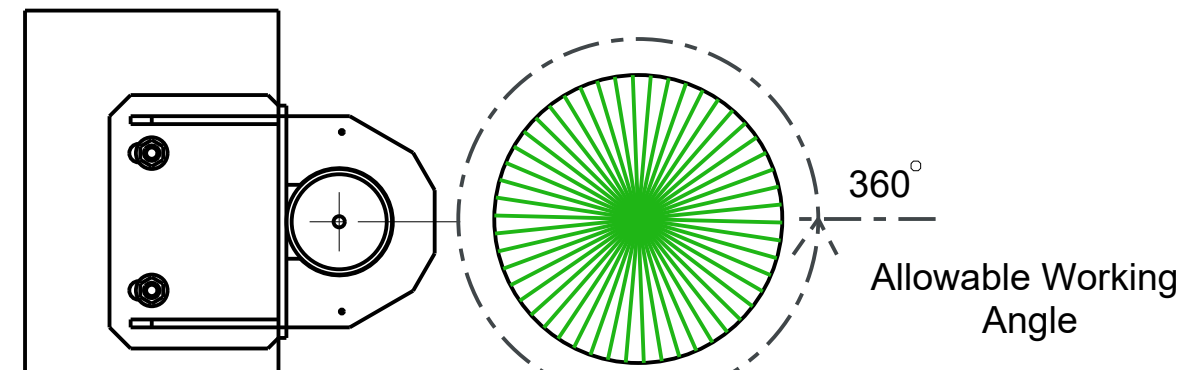
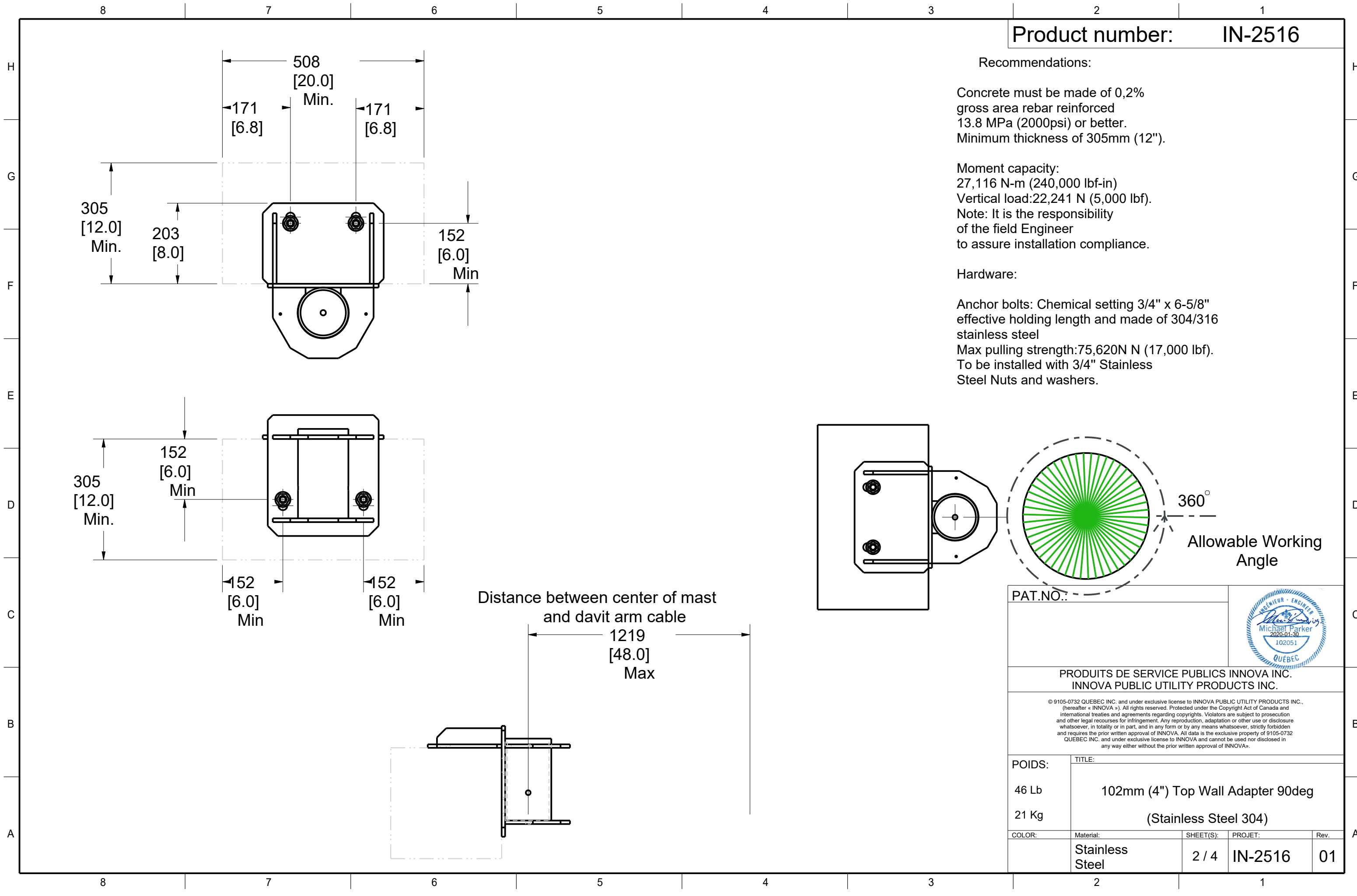
Recommendations:

Concrete must be made of 0,2% gross area rebar reinforced 13.8 MPa (2000psi) or better. Minimum thickness of 305mm (12").

Moment capacity: 27,116 N-m (240,000 lbf-in)
 Vertical load: 22,241 N (5,000 lbf).
 Note: It is the responsibility of the field Engineer to assure installation compliance.

Hardware:

Anchor bolts: Chemical setting 3/4" x 6-5/8" effective holding length and made of 304/316 stainless steel
 Max pulling strength: 75,620N N (17,000 lbf).
 To be installed with 3/4" Stainless Steel Nuts and washers.



Distance between center of mast and davit arm cable
 1219 [48.0] Max

PAT.NO.:				
PRODUITS DE SERVICE PUBLICS INNOVA INC. INNOVA PUBLIC UTILITY PRODUCTS INC.				
© 9105-0732 QUEBEC INC. and under exclusive license to INNOVA PUBLIC UTILITY PRODUCTS INC., (hereafter « INNOVA »). All rights reserved. Protected under the Copyright Act of Canada and international treaties and agreements regarding copyrights. Violators are subject to prosecution and other legal recourses for infringement. Any reproduction, adaptation or other use or disclosure whatsoever, in totality or in part, and in any form or by any means whatsoever, strictly forbidden and requires the prior written approval of INNOVA. All data is the exclusive property of 9105-0732 QUEBEC INC. and under exclusive license to INNOVA and cannot be used nor disclosed in any way either without the prior written approval of INNOVA.				
POIDS:	TITLE:			
46 Lb	102mm (4") Top Wall Adapter 90deg			
21 Kg	(Stainless Steel 304)			
COLOR:	Material:	SHEET(S):	PROJET:	Rev.
	Stainless Steel	2 / 4	IN-2516	01

SPECIFICATIONS

H This equipment is considered as part of a personal fall arrest system (PFAS) with a maximum working capacity of 164 Kg (360 lb).

It is only to be used in conjunction with a personal fall arrest system that limits the maximum arrest force (MAF).

G Maximum Working Moment : 1,952 N-m (17,280 lbf-in)
Maximum Moment : 19,524 N-m (172,800 lbf-in)

STANDARDS

Meets the following standards:

- F OSHA Personal fall arrest system - 1910.66 App C
- ANSI Safety requirements for personal fall arrest system, subsystems and components Z359.1 (R1999) / 2007
- CAN/CSA Fall arresters, vertical lifelines, and rails Z259.2.1-98
- EN 795: 2012 Type A
- CEN/TS 16415: 2013 (3 Users)

E MATERIAL AND CONSTRUCTION

- Plate and gussets : Stainless Steel 304
- Sleeve :Stainless Steel 304
- Sleeve bearing :PVC Pipe
- Pin : Stainless Steel
- D Lanyard : Nylon covered Stainless Steel Cable
- Welding Certification : CSA W59 & W47.1, AWS D1.6

RESTRICTIONS

C IMPORTANT :

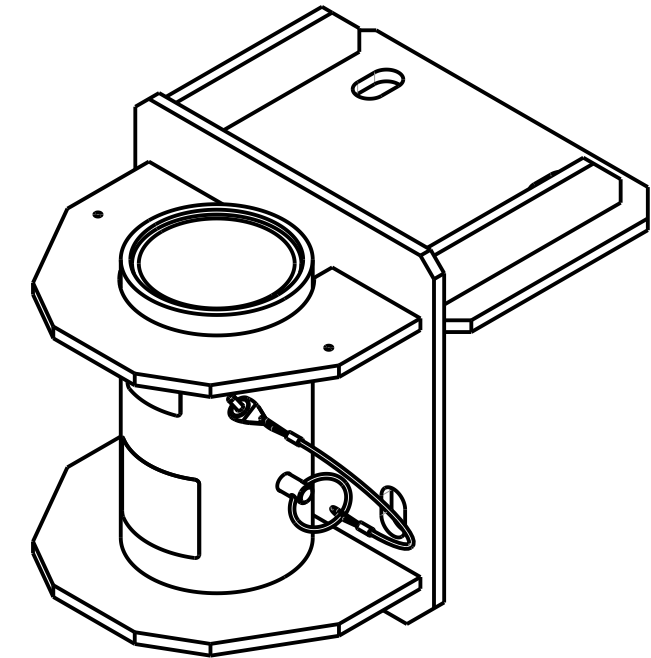
Adaptors are designed to function only with Innova Public Utility Products INC. equipment. Anchorage hardware must be installed by qualified and experienced personnel. The installer must follow the anchorage hardware manufacturers recommendations at all times.

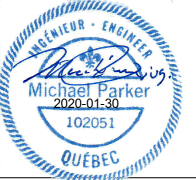
B ****The positioning pins must always be in place when manouvering personnel. Otherwise, serious injuries may occur.**

Periodic inspections of hardware must be done. In the occurance of a fall or the safety of the equipment is in doubt, equipment must be immediately removed from service and inspected by qualified personnel before reuse.

A **** This equipment must always be operated in a level position.**

Product number: IN-2516



PAT.NO.:				
PRODUITS DE SERVICE PUBLICS INNOVA INC. INNOVA PUBLIC UTILITY PRODUCTS INC.				
<small>© 9105-0732 QUEBEC INC. and under exclusive license to INNOVA PUBLIC UTILITY PRODUCTS INC., (hereafter « INNOVA »). All rights reserved. Protected under the Copyright Act of Canada and international treaties and agreements regarding copyrights. Violators are subject to prosecution and other legal recourses for infringement. Any reproduction, adaptation or other use or disclosure whatsoever, in totality or in part, and in any form or by any means whatsoever, strictly forbidden and requires the prior written approval of INNOVA. All data is the exclusive property of 9105-0732 QUEBEC INC. and under exclusive license to INNOVA and cannot be used nor disclosed in any way either without the prior written approval of INNOVA».</small>				
POIDS:	TITLE:			
46 Lb	102mm (4") Top Wall Adapter 90deg			
21 Kg	(Stainless Steel 304)			
COLOR:	Material:	SHEET(S):	PROJET:	Rev.
	Stainless Steel	3 / 4	IN-2516	01

8

7

6

5

4

3

2

1

Product number: IN-2516

H

G

F

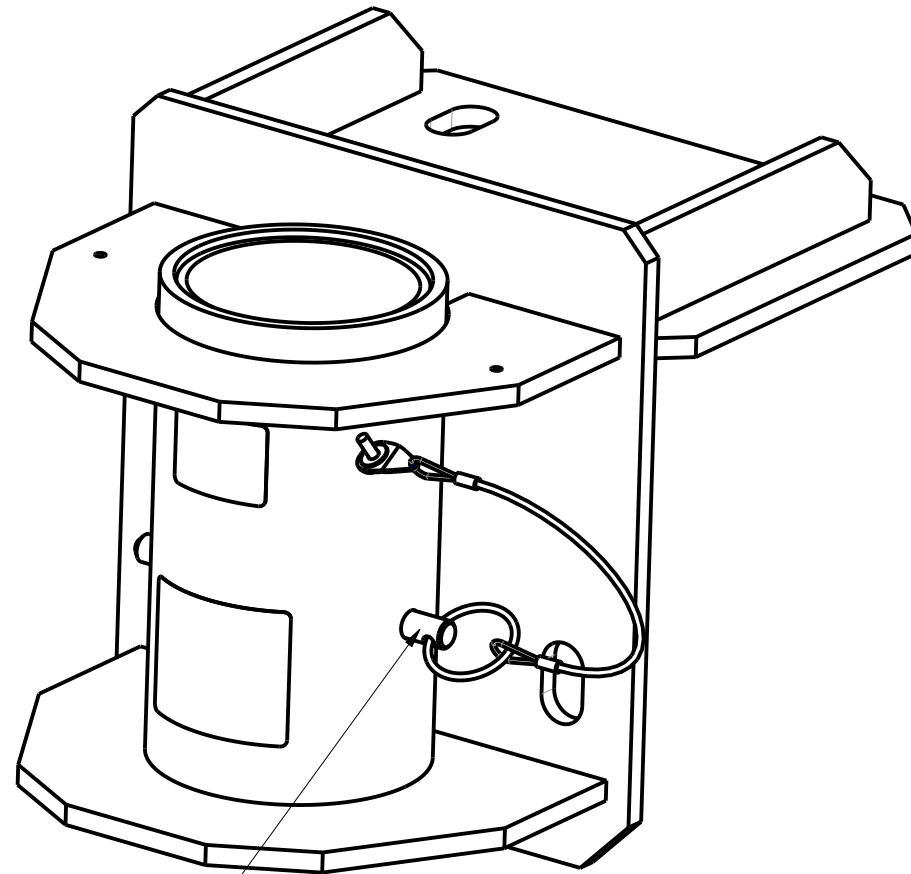
E

D

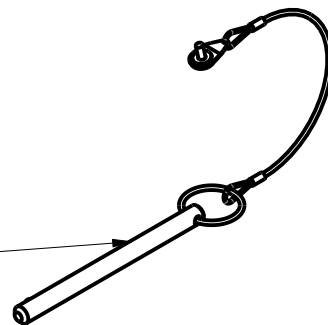
C

B

A



A2238-05



H

G

F

E

D

C

B

A

PAT.NO.:	

PRODUITS DE SERVICE PUBLICS INNOVA INC.
 INNOVA PUBLIC UTILITY PRODUCTS INC.

© 9105-0732 QUEBEC INC. and under exclusive license to INNOVA PUBLIC UTILITY PRODUCTS INC., (hereafter « INNOVA »). All rights reserved. Protected under the Copyright Act of Canada and international treaties and agreements regarding copyrights. Violators are subject to prosecution and other legal recourses for infringement. Any reproduction, adaptation or other use or disclosure whatsoever, in totality or in part, and in any form or by any means whatsoever, strictly forbidden and requires the prior written approval of INNOVA. All data is the exclusive property of 9105-0732 QUEBEC INC. and under exclusive license to INNOVA and cannot be used nor disclosed in any way either without the prior written approval of INNOVA.

POIDS:	TITLE:			
46 Lb	102mm (4") Top Wall Adapter 90deg			
21 Kg	(Stainless Steel 304)			

COLOR:	Material:	SHEET(S):	PROJET:	Rev.
	Stainless Steel	4 / 4	IN-2516	01

8

7

6

5

4

3

2

1