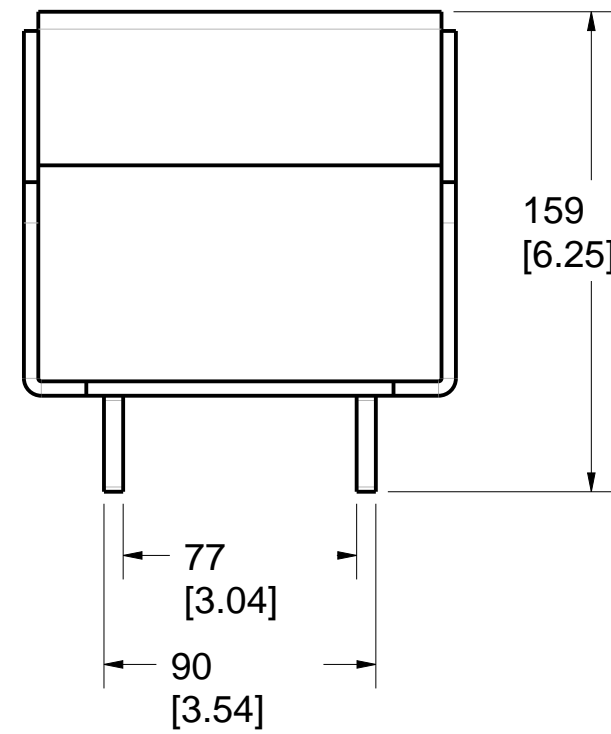
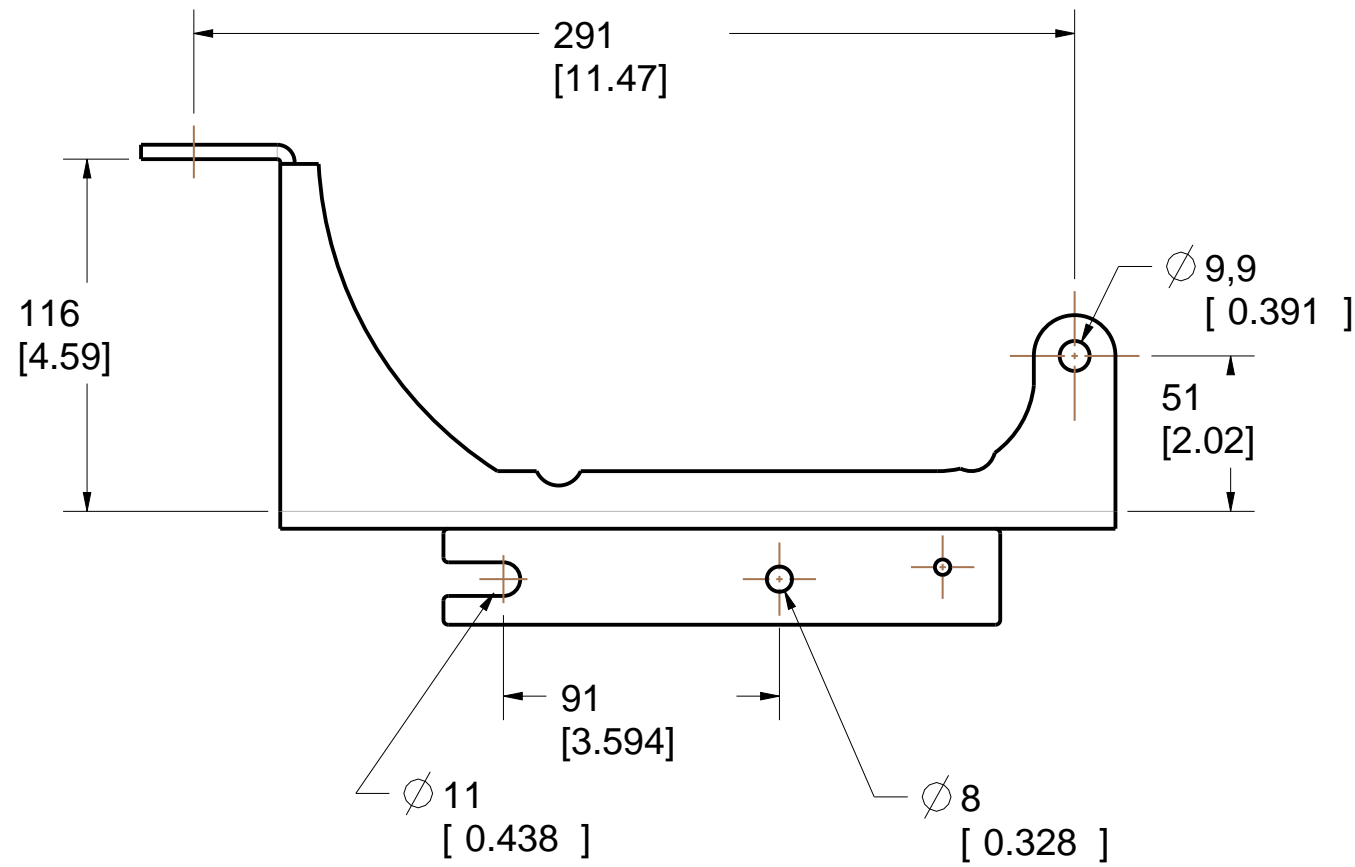
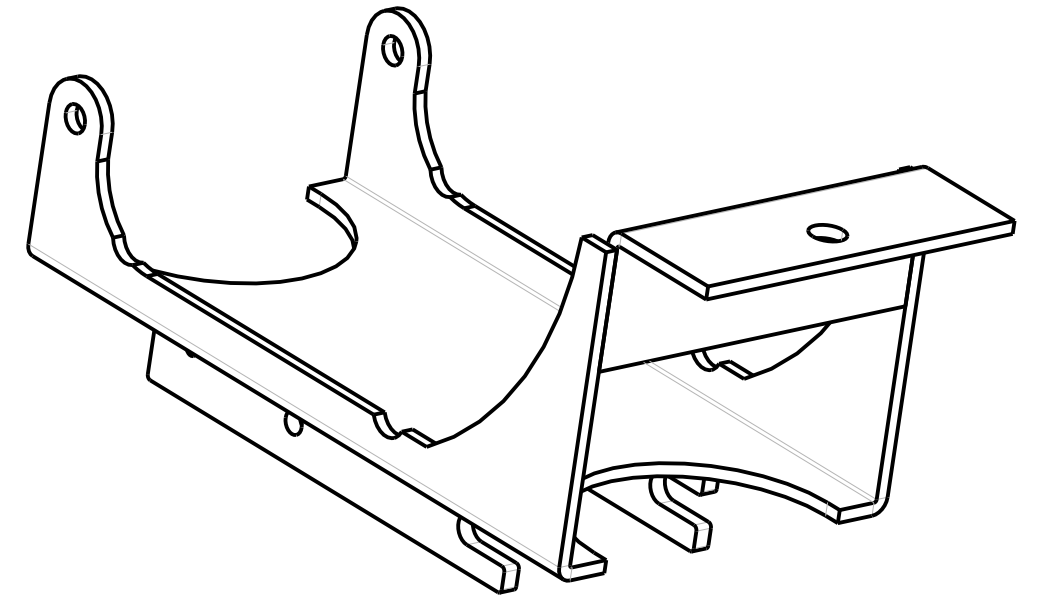
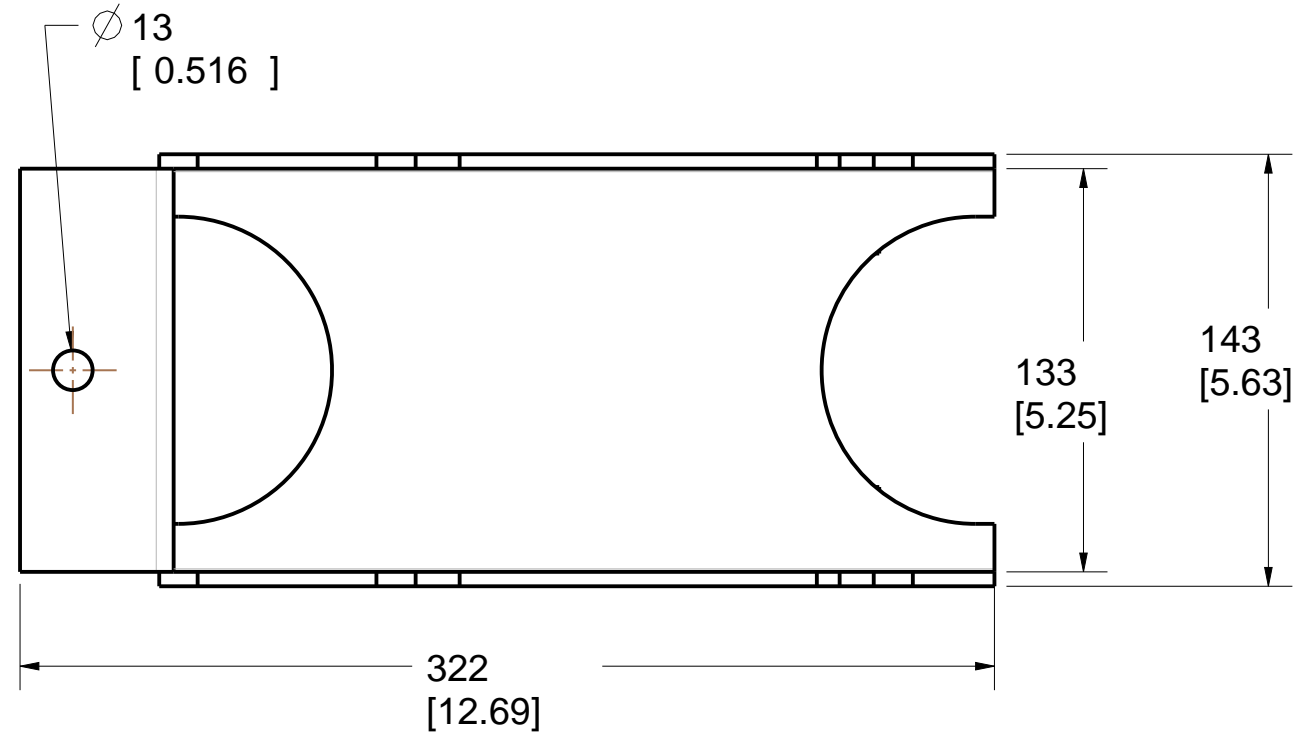


Product number: IN-2177



PAT. NO.:		©06/05/2010	©
PRODUITS DE SERVICE PUBLICS INNOVA INC. INNOVA PUBLIC UTILITY PRODUCTS INC.			
<small>© 9105-0732 QUEBEC INC. and under exclusive license to INNOVA PUBLIC UTILITY PRODUCTS INC., (hereafter « INNOVA »). All rights reserved. Protected under the Copyright Act of Canada and international treaties and agreements regarding copyrights. Violators are subject to prosecution and other legal recourses for infringement. Any reproduction, adaptation or other use or disclosure whatsoever, in totality or in part, and in any form or by any means whatsoever, strictly forbidden and requires the prior written approval of INNOVA. All data is the exclusive property of 9105-0732 QUEBEC INC. and under exclusive license to INNOVA and cannot be used nor disclosed in any way either without the prior written approval of INNOVA.</small>			
WEIGHT:	TITLE:		
7 Lb	Mounting bracket for Miller SRL		
3 Kg	(MR100 , MR130)		
COLOR:	MATERIAL:	SHEET(S):	PROJECT:
Zinc plated	Steel 44W	1 / 4	IN-2177

8

7

6

5

4

3

2

1

Product number: IN-2177

H

G

F

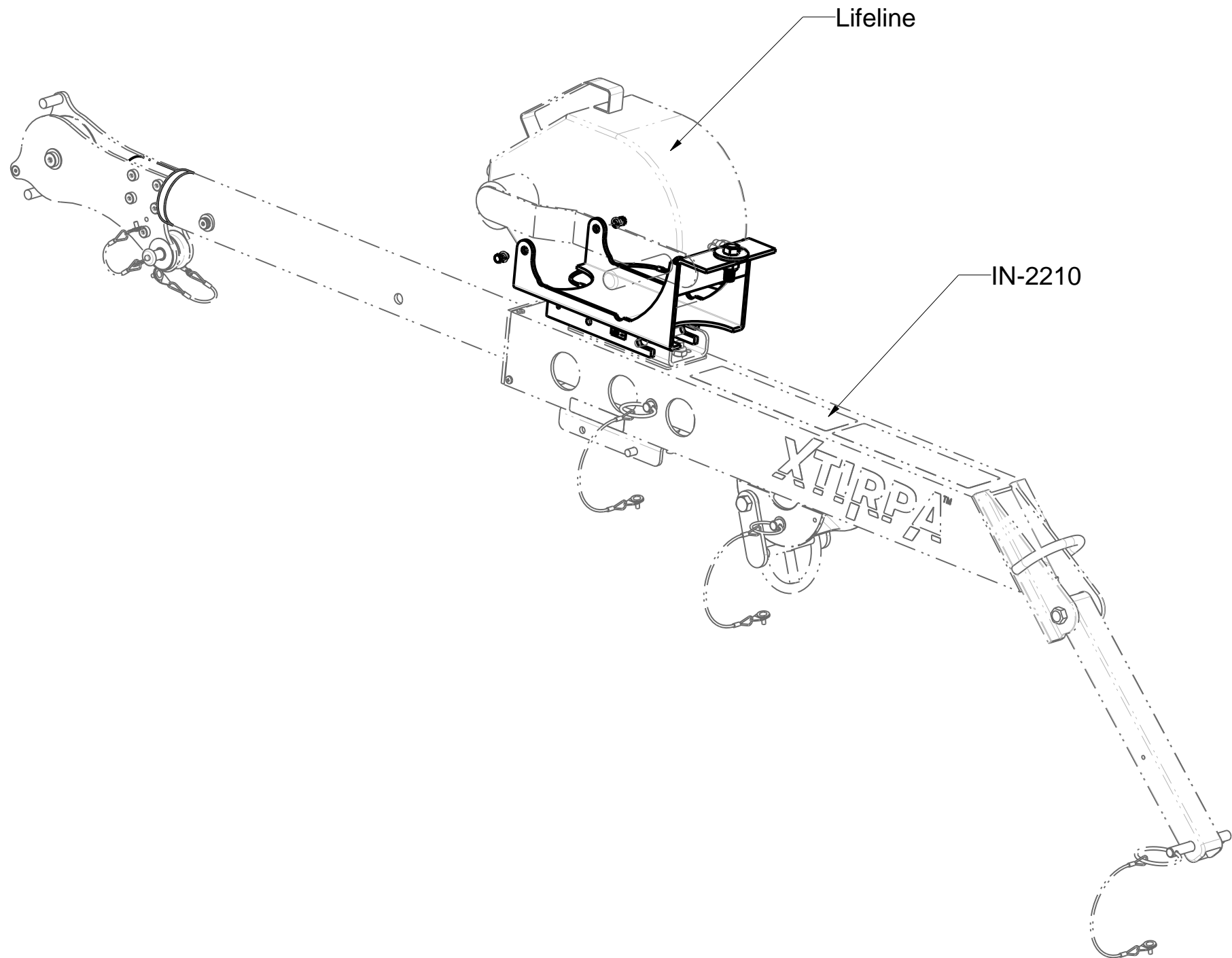
E

D

C

B

A



PAT. NO.:		©06/05/2010	©
PRODUITS DE SERVICE PUBLICS INNOVA INC. INNOVA PUBLIC UTILITY PRODUCTS INC.			
<small>© 9105-0732 QUEBEC INC. and under exclusive license to INNOVA PUBLIC UTILITY PRODUCTS INC., (hereafter « INNOVA »). All rights reserved. Protected under the Copyright Act of Canada and international treaties and agreements regarding copyrights. Violators are subject to prosecution and other legal recourses for infringement. Any reproduction, adaptation or other use or disclosure whatsoever, in totality or in part, and in any form or by any means whatsoever, strictly forbidden and requires the prior written approval of INNOVA. All data is the exclusive property of 9105-0732 QUEBEC INC. and under exclusive license to INNOVA and cannot be used nor disclosed in any way either without the prior written approval of INNOVA.</small>			
WEIGHT:	TITLE:		
7 Lb	Mounting bracket for Miller SRL (MR100 , MR130)		
3 Kg			
COLOR:	MATERIAL:	SHEET(S):	PROJECT:
Zinc plated	Steel 44W	2 / 4	IN-2177

8

7

6

5

4

3

2

1

Product number: IN-2177

SPECIFICATIONS

This equipment is considered as part of a personal fall arrest system (PFAS) with a maximum working capacity of 164 Kg (360 lb).

It is only to be used in conjunction with a personal fall arrest system that limits the maximum arrest force (MAF).

Maximum Working Load (user + equipment) : 164 kg (360 lb)
 Maximum Design Load : 1,640 kg (3,600 lb)

STANDARDS

Meets the following standards:
 OSHA Personal fall arrest system - 1910.66 App C
 ANSI Safety requirements for personal fall arrest system, subsystems and components Z359.1 (R1999) / 2007
 CAN/CSA Fall arresters, vertical lifelines, and rails Z259.2.1-98

MATERIAL AND CONSTRUCTION

Body and supports : Steel 44W
 Hardware : Stainless Steel
 Pin : Stainless Steel
 Lanyard : Nylon covered Stainless Steel Cable
 Finish : Clear trivalent zinc plated (ASTM B-633-13, Type V, SC 3)
 Welding Certification : CSA W59 & W47.1, AWS DI.6

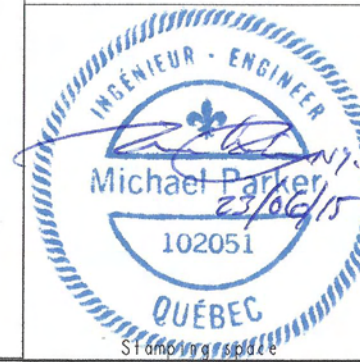
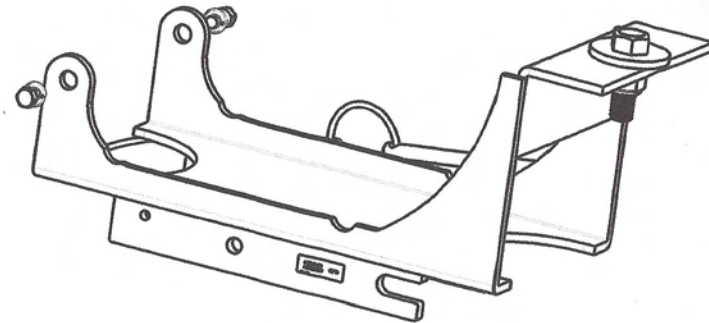
RESTRICTIONS

Winch adapters are designed to function only with Innova Public Utility Products inc. equipment.

IMPORTANT:

The mounting pin and hardware must always be in place at all times. Always use the manufacturers original pin and hardware, No substitutes.
 Periodic inspections of winch adapters must be done to ensure personnel safety.

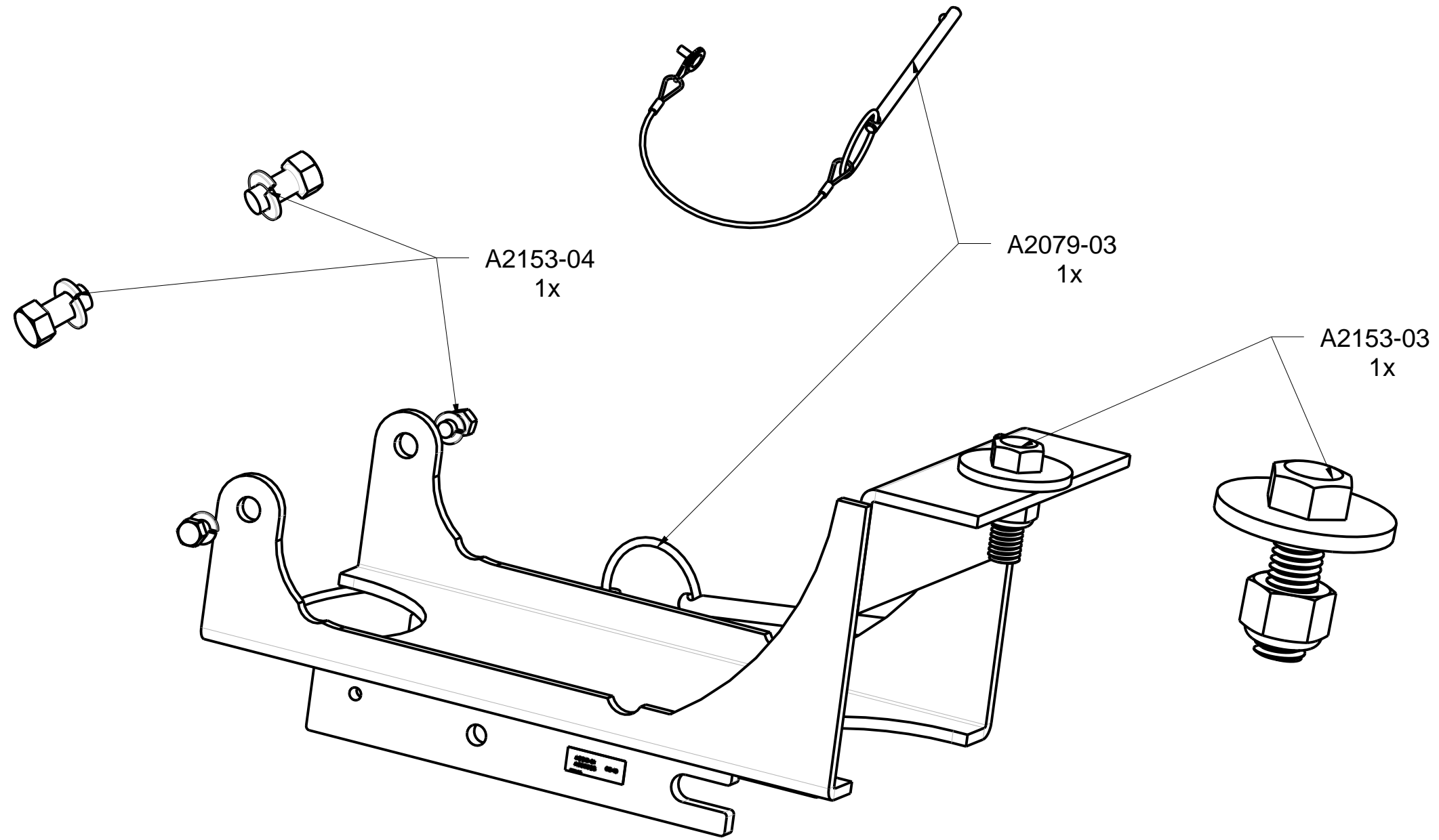
In the occurrence of a fall or the safety of the equipment is in doubt, equipment must be immediately removed from service and inspected by qualified personnel before reuse.



PAT. NO.:		006/05/2010 ©	
PRODUITS DE SERVICE PUBLICS INNOVA INC. INNOVA PUBLIC UTILITY PRODUCTS INC.			
<small>© 9105-0732 QUEBEC INC. and under exclusive license to INNOVA PUBLIC UTILITY PRODUCTS INC., Chartered & INNOVA ut. All rights reserved. Protected under the Copyright Act of Canada and international treaties and agreements regarding copyrights. Violators are subject to prosecution and other legal recourse for infringement. Any reproduction, adaptation or other use or disclosure whatsoever, in total or in part, and in any form or by any means whatsoever, strictly forbidden and requires the prior written approval of INNOVA. All data is the exclusive property of 9105-0732 QUEBEC INC. and under exclusive license to INNOVA and cannot be used nor disclosed in any way other without the prior written approval of INNOVA.</small>			
WEIGHT:		TITLE:	
7 Lb		Mounting bracket for Miller SRL	
3 Kg		(MR100 , MR130)	
COLOR:	MATERIAL:	SHEET(S):	PROJECT:
Zinc plated	Steel 44W	3 / 4	IN-2177

Stamping place

Product number: IN-2177



PAT. NO.:		©06/05/2010 ©	
PRODUITS DE SERVICE PUBLICS INNOVA INC. INNOVA PUBLIC UTILITY PRODUCTS INC.			
© 9105-0732 QUEBEC INC. and under exclusive license to INNOVA PUBLIC UTILITY PRODUCTS INC., (hereafter « INNOVA »). All rights reserved. Protected under the Copyright Act of Canada and international treaties and agreements regarding copyrights. Violators are subject to prosecution and other legal recourses for infringement. Any reproduction, adaptation or other use or disclosure whatsoever, in totality or in part, and in any form or by any means whatsoever, strictly forbidden and requires the prior written approval of INNOVA. All data is the exclusive property of 9105-0732 QUEBEC INC. and under exclusive license to INNOVA and cannot be used nor disclosed in any way either without the prior written approval of INNOVA.			
WEIGHT:	TITLE:		
7 Lb 3 Kg	Mounting bracket for Miller SRL (MR100 , MR130)		
COLOR:	MATERIAL:	SHEET(S):	PROJECT:
Zinc plated	Steel 44W	4 / 4	IN-2177