

PAT. NO.:		©08/12/2014 ©	
<p>PRODUITS DE SERVICE PUBLICS INNOVA INC. INNOVA PUBLIC UTILITY PRODUCTS INC.</p> <p><small>© 9105-0732 QUEBEC INC. and under exclusive license to INNOVA PUBLIC UTILITY PRODUCTS INC., (hereafter « INNOVA »). All rights reserved. Protected under the Copyright Act of Canada and international treaties and agreements regarding copyrights. Violators are subject to prosecution and other legal recourses for infringement. Any reproduction, adaptation or other use or disclosure whatsoever, in totality or in part, and in any form or by any means whatsoever, strictly forbidden and requires the prior written approval of INNOVA. All data is the exclusive property of 9105-0732 QUEBEC INC. and under exclusive license to INNOVA and cannot be used nor disclosed in any way either without the prior written approval of INNOVA.</small></p>			
WEIGHT:	TITLE:		
59 Lb	C-Clamp adapter for hitch mount		
27 Kg	(short mezzanine)		
COLOR:	MATERIAL:	SHEET(S):	PROJECT:
Clear zinc	Steel	1 / 4	A2126-50

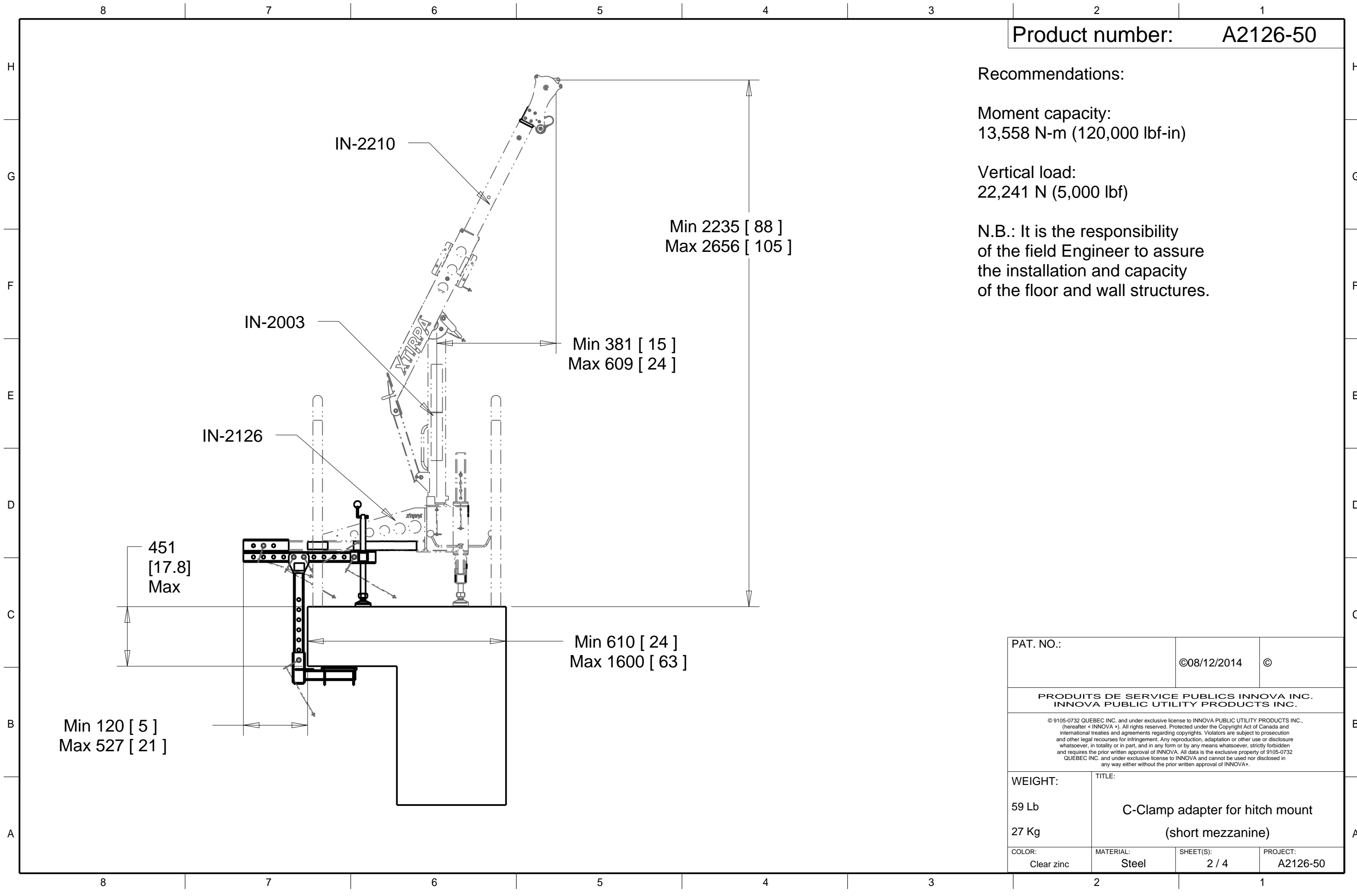
Product number: **A2126-50**

Recommendations:

Moment capacity:  
13,558 N-m (120,000 lbf-in)

Vertical load:  
22,241 N (5,000 lbf)

N.B.: It is the responsibility  
of the field Engineer to assure  
the installation and capacity  
of the floor and wall structures.



PAT. NO.:		©08/12/2014	©
<b>PRODUITS DE SERVICE PUBLICS INNOVA INC.</b> <b>INNOVA PUBLIC UTILITY PRODUCTS INC.</b>			
© 9105-0732 QUEBEC INC. and under exclusive license to INNOVA PUBLIC UTILITY PRODUCTS INC., (hereafter « INNOVA »). All rights reserved. Protected under the Copyright Act of Canada and international treaties and agreements regarding copyrights. Violators are subject to prosecution and other legal recourses for infringement. Any reproduction, adaptation or other use or disclosure whatsoever, in totality or in part, and in any form or by any means whatsoever, strictly forbidden and requires the prior written approval of INNOVA. All data is the exclusive property of 9105-0732 QUEBEC INC. and under exclusive license to INNOVA and cannot be used nor disclosed in any way either without the prior written approval of INNOVA.			
WEIGHT:	TITLE:		
59 Lb 27 Kg	<b>C-Clamp adapter for hitch mount</b> <b>(short mezzanine)</b>		
COLOR:	MATERIAL:	SHEET(S):	PROJECT:
Clear zinc	Steel	2 / 4	A2126-50



**SPECIFICATIONS**

This equipment is considered as part of a personal fall arrest system (PFAS).

It is only to be used in conjunction with a personal fall arrest system that limits the maximum arrest force (MAF).

Working load limit (WLL): 1,112 N (250 lbf)

Max design capacity: 11,121 N (2,500 lbf)

Note: The structure must meet the maximum design capacity.

**STANDARDS**

Meets the following standards:

OSHA Personal fall arrest system - 1910.66 App C

ANSI Safety requirements for personal fall arrest system, subsystems and components Z359.1 ( R1999 ) / 2007

CAN/CSA Fall arresters, vertical lifelines, and rails Z259.2.1-98

CE EN 795: 2012 Type B

**MATERIAL AND CONSTRUCTION**

Body and guide: Zinc plated steel

Hardware : Zinc plated and Stainless Steel

Counter Plate : Steel Rubber-Coated

Finish : Clear Zinc plated, ASTM B-633-II, Type V, SC3.

Welding certification : CSA W59 & 47.1

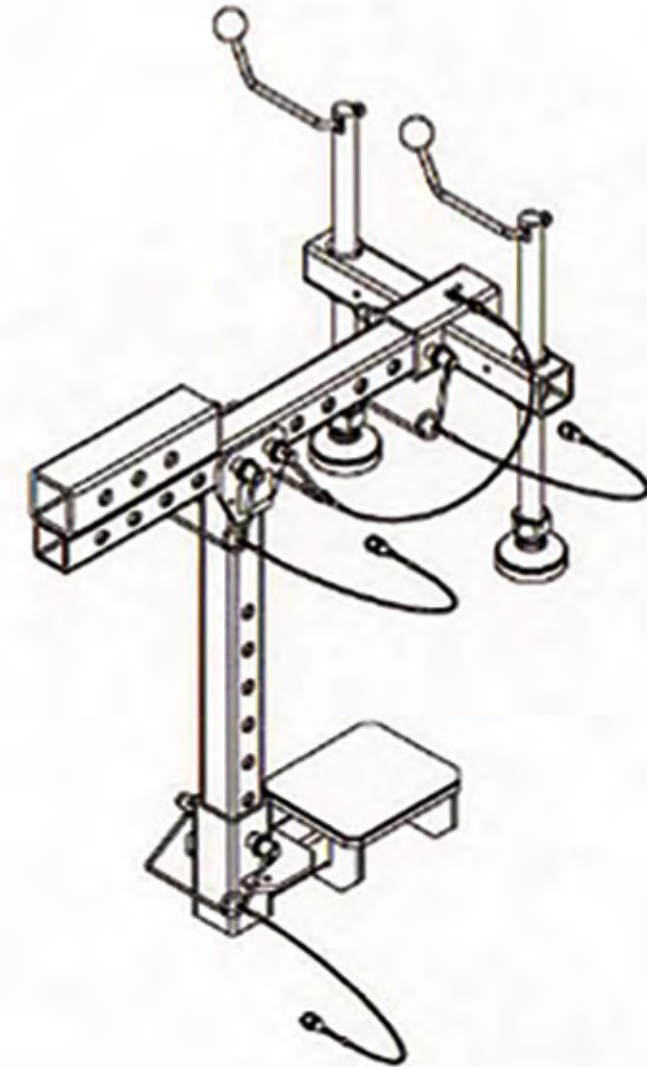
**RESTRICTIONS**

This product is to be used only with products approved by Innovo Public Utility Products inc.

!!The positioning pins must always be in place when manoeuvring personnel. Otherwise, serious injuries may occur.

Periodic inspections of hardware must be done. In the occurrence of a fall or the safety of the equipment is in doubt, equipment must be immediately removed from service and inspected by qualified personnel before reuse.

Product number: A2126-50



PAT. NO.:		008/12/2014 ©	
PRODUITS DE SERVICE PUBLICS INNOVA INC. INNOVA PUBLIC UTILITY PRODUCTS INC.			
© 8125-8732 DEBEC INC. and under exclusive license to INNOVA PUBLIC UTILITY PRODUCTS INC., distributeur et fabricant. All rights reserved. Protected under the Copyright Act of Canada and International treaties and agreements regarding copyright. Répliquer ou copier sans la permission écrite de DEBEC INC. est strictement interdit. Toute réimpression, adaptation ou autre utilisation de ce document sans la permission écrite de DEBEC INC. est strictement interdite. All rights in the contents are the property of 8125-8732 DEBEC INC. and under exclusive license to INNOVA and cannot be used nor disclosed in any way without the prior written approval of INNOVA.			
WEIGHT:	TITLE:		
59 Lb	C-Clamp adapter for hitch mount		
27 Kg	(short mezzanine)		
COLOR:	MATERIAL:	QUANTITY:	PROJECT:
Clear zinc	Steel	3 / 4	A2126-50



8

7

6

5

4

3

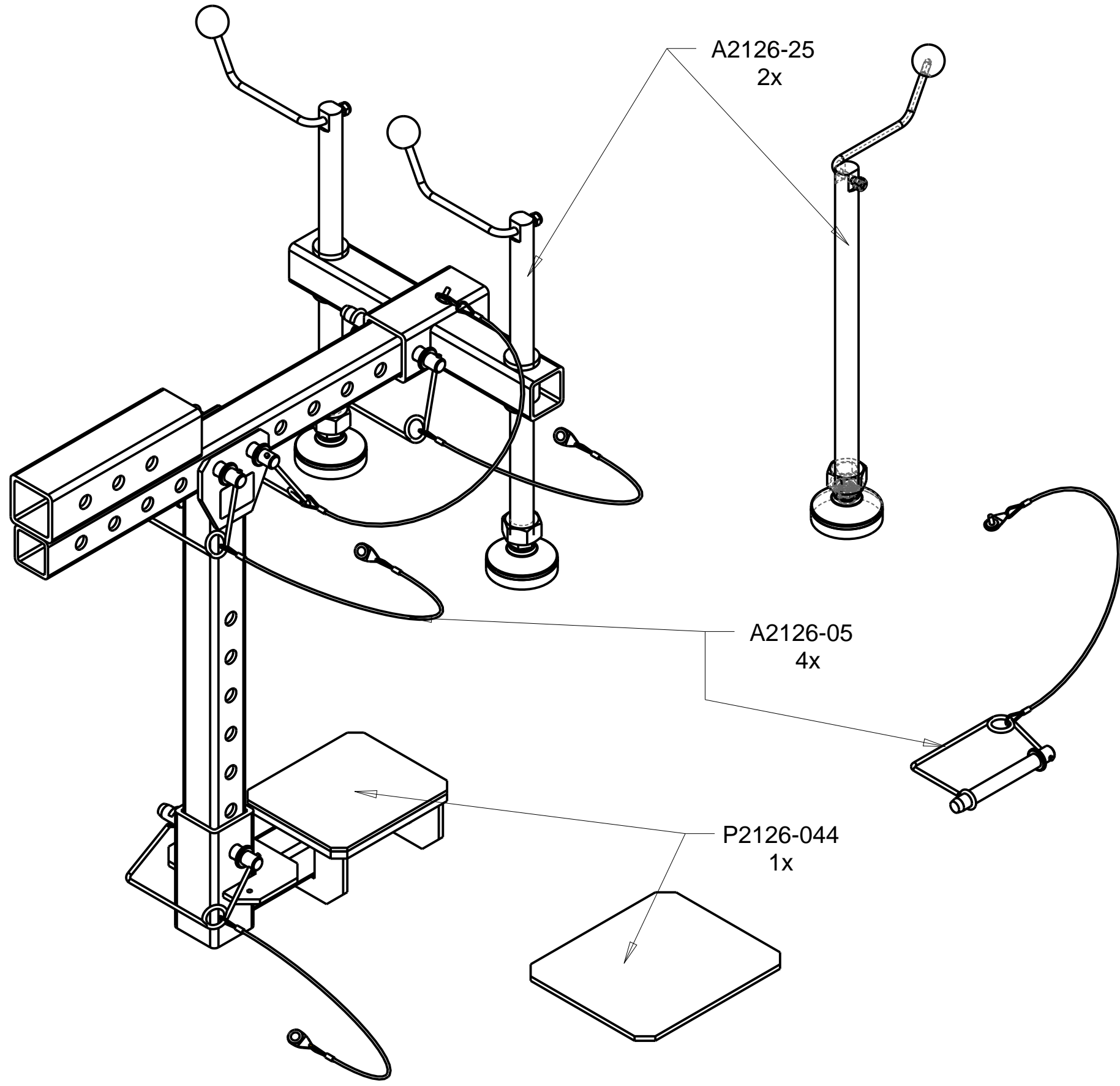
2

1

Product number: A2126-50

H  
G  
F  
E  
D  
C  
B  
A

H  
G  
F  
E  
D  
C  
B  
A



A2126-25  
2x

A2126-05  
4x

P2126-044  
1x

PAT. NO.:	©08/12/2014	©
-----------	-------------	---

PRODUITS DE SERVICE PUBLICS INNOVA INC.  
INNOVA PUBLIC UTILITY PRODUCTS INC.

© 9105-0732 QUEBEC INC. and under exclusive license to INNOVA PUBLIC UTILITY PRODUCTS INC., (hereafter « INNOVA »). All rights reserved. Protected under the Copyright Act of Canada and international treaties and agreements regarding copyrights. Violators are subject to prosecution and other legal recourses for infringement. Any reproduction, adaptation or other use or disclosure whatsoever, in totality or in part, and in any form or by any means whatsoever, strictly forbidden and requires the prior written approval of INNOVA. All data is the exclusive property of 9105-0732 QUEBEC INC. and under exclusive license to INNOVA and cannot be used nor disclosed in any way either without the prior written approval of INNOVA.

WEIGHT:	TITLE:		
59 Lb	C-Clamp adapter for hitch mount		
27 Kg	(short mezzanine)		

COLOR:	MATERIAL:	SHEET(S):	PROJECT:
Clear zinc	Steel	4 / 4	A2126-50

8

7

6

5

4

3

2

1