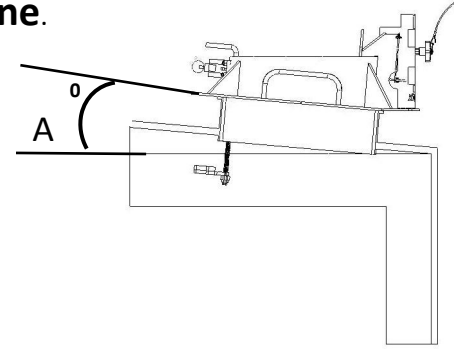


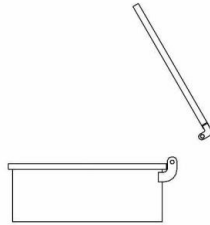
## Manhole collar field information guideline.

1-What is the angle (compared to the horizontal) of the entry flange on the tank ?

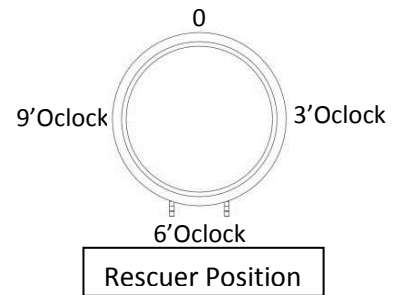
A=



2-Is the tank cover removable ?



3-If not what side does it open ? Where is the hinge located ?



4-Does the hinge exceed the cover flange ? If yes, what is the size of the hinge cover ?

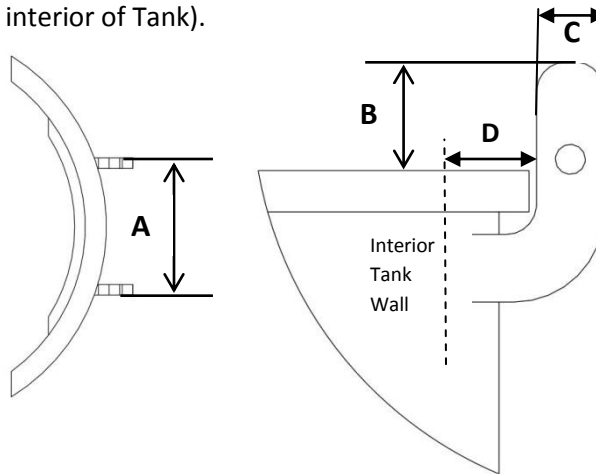
(Width by length and distance from the interior of Tank).

A=

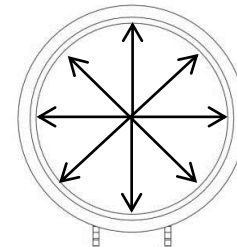
B=

C=

D=



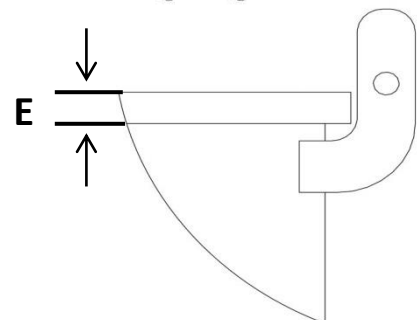
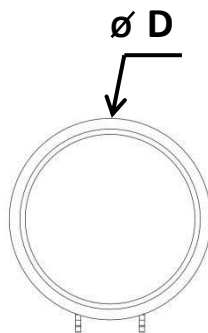
5-What is the interior **minimum** free clearance diameter in all directions ?



6-What is the collar flange size and thickness ?

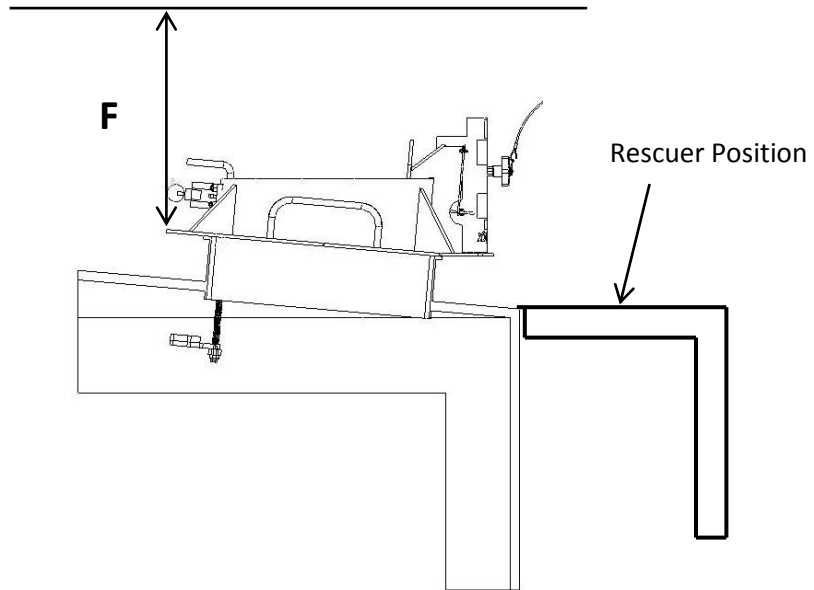
D=

E=



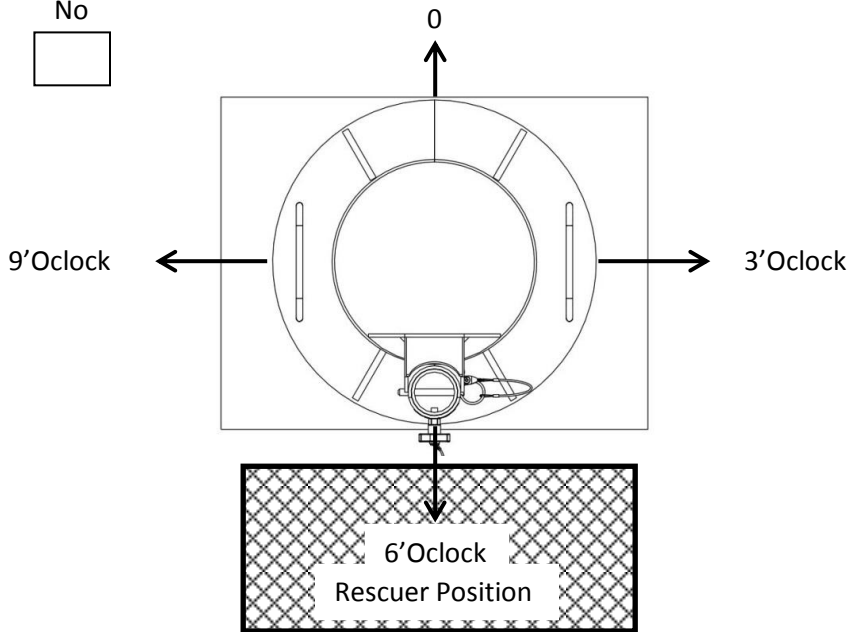
7-What is the overhead clearance between the highest point on the flange and the ceiling or any other obstacle ?  
 (This will determine if the standard davit can be used or if the smaller davit/mast systems are needed).

F=



8-Is the working area suitable to do a rescue ? (Area available without obstacle for rescuer).

Yes  No



9-What's the cable length required ?

10-What type of finish is required ? (Yellow painted or anodized).

**Important:** It is the responsibility of the client to confirm that his tank can support the loading on a manhole collar.